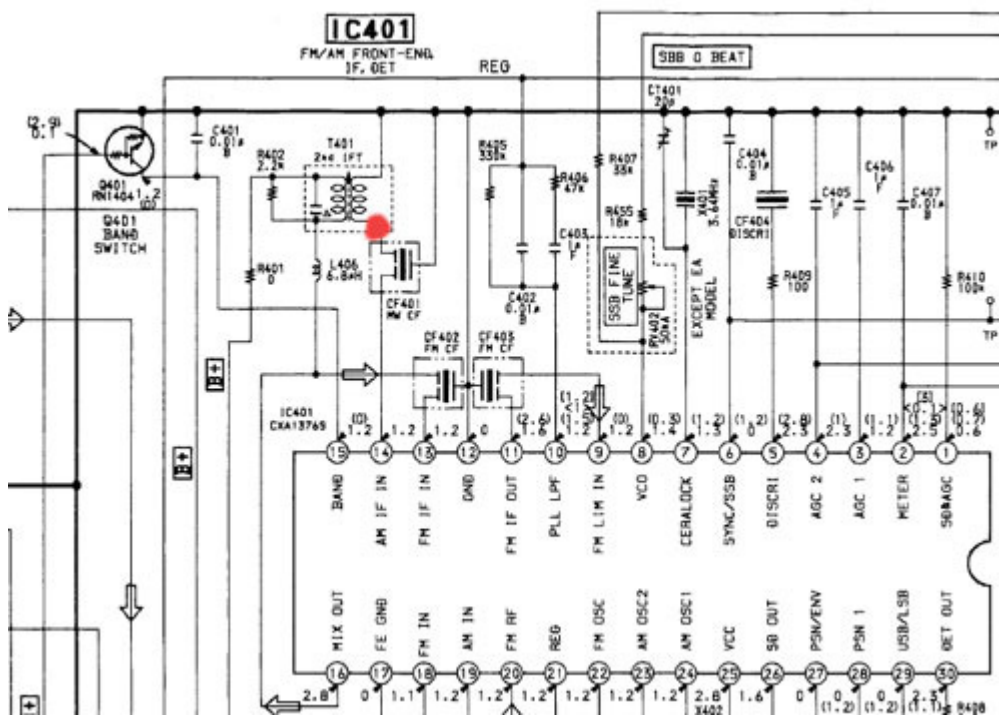
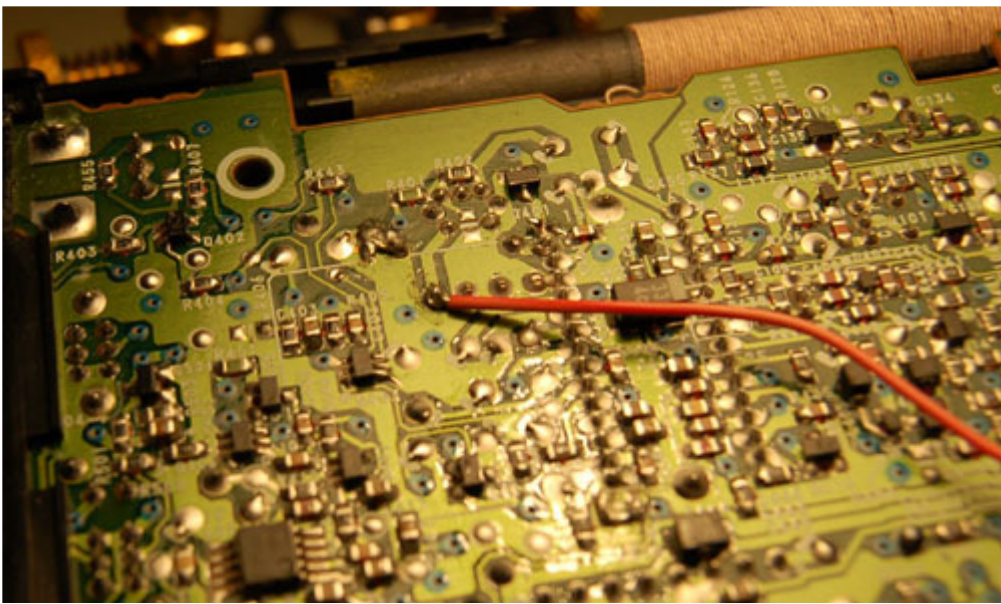
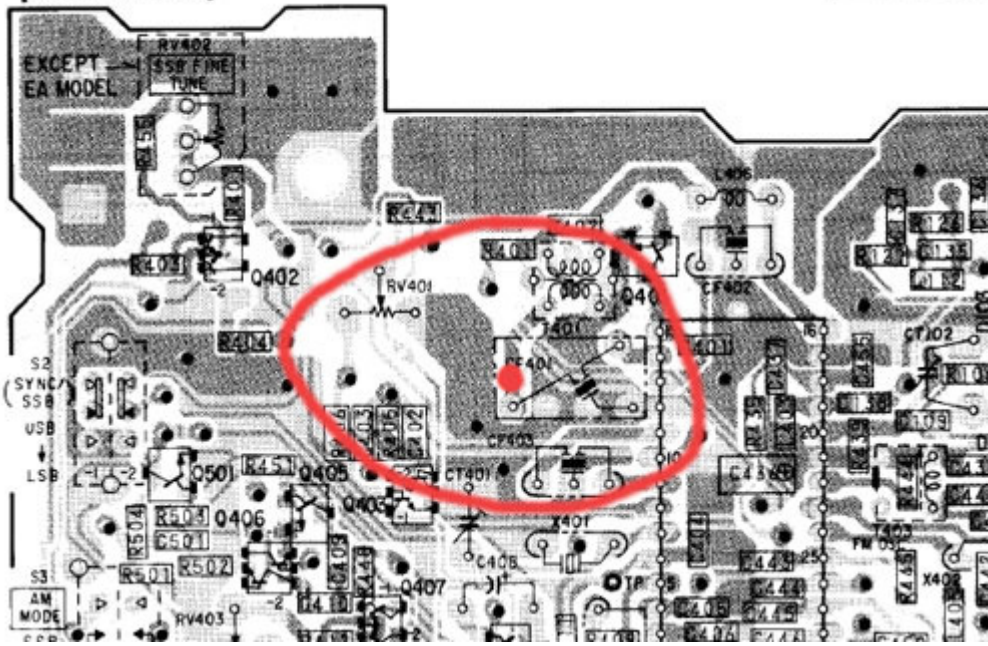


Modification of Sony ICF-SW 7600G for DRM

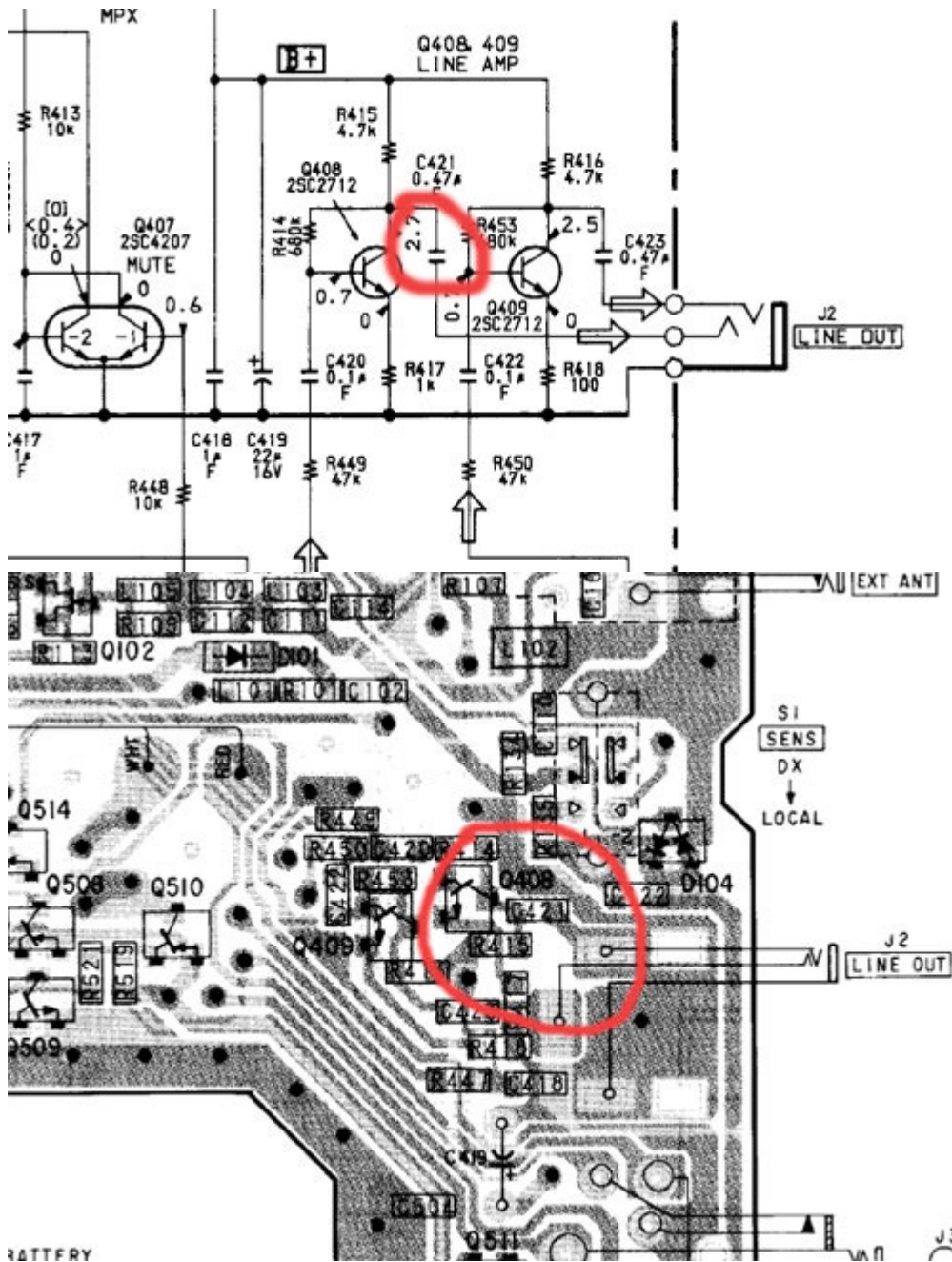
This receiver has a 2nd IF of 455kHz, so simple mixer can be used for downconverting the IF to 12 kHz. I tapped the signal before it enters the IF filter on the board (CF412, see picture below) and connected it to the receivers line out jack (for listening to AM you can still use the earphone jack)

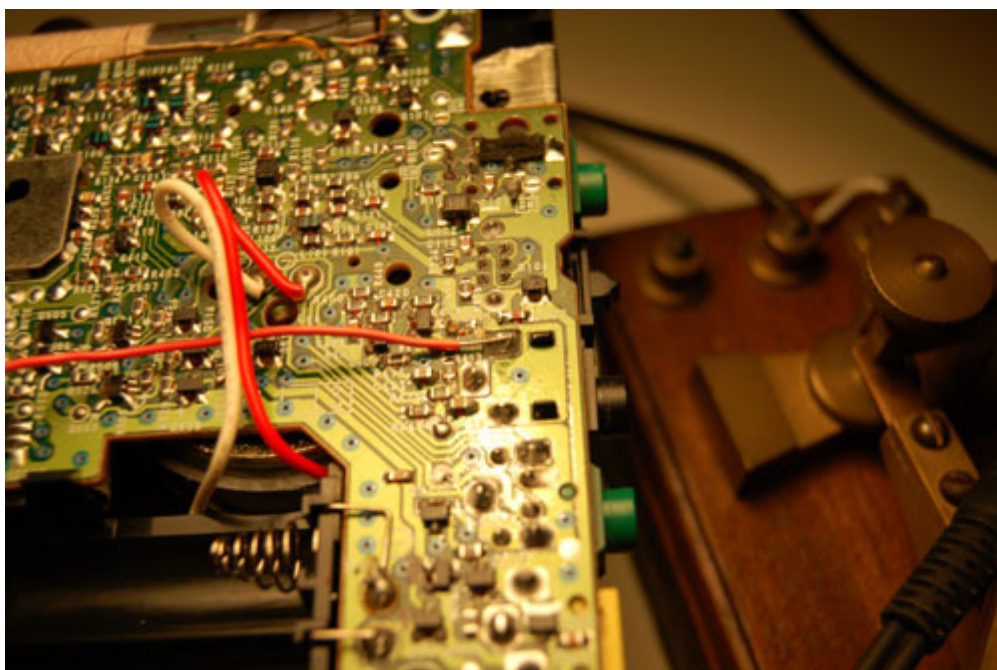


[MAIN BOARD]



For the connection use a shielded wire and connect the shield to ground next to the signal. The other end of the wire can be connected to the line out after removing the capacitors C421 and C 423





Andrea IW0HK 2008

<http://www.mediasuk.org/IW0HK>